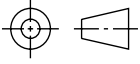
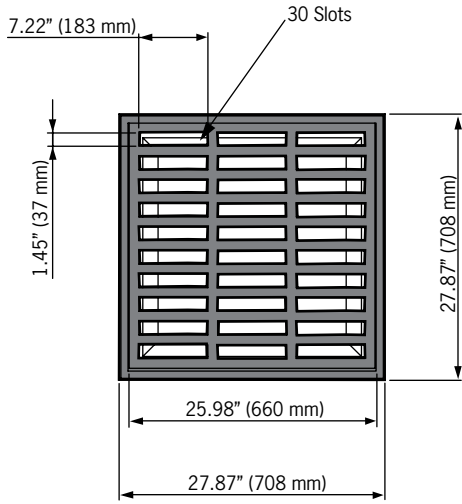


2x2 Catch Basin



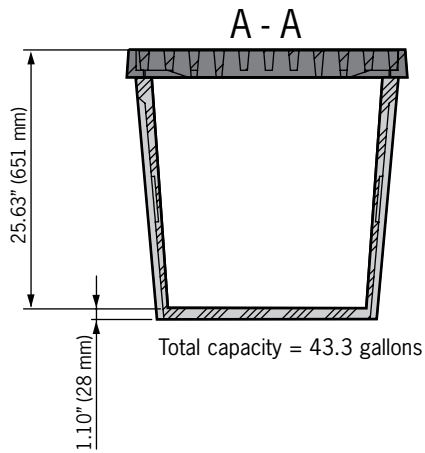
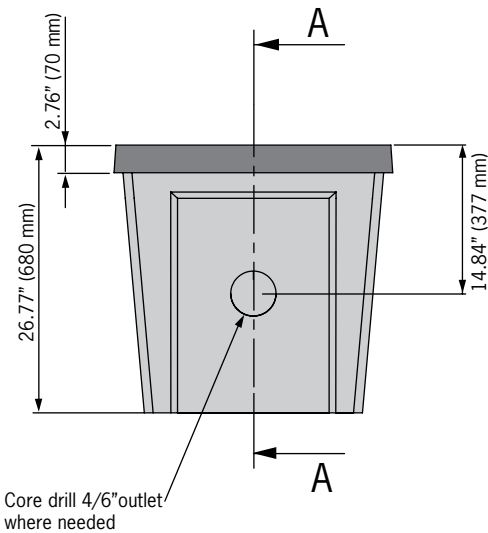
Grate



- Grate is classified as 'Heavy Duty' and meets the requirements of AASHTO M306*.
- Grate provides 47% open area - 314 sq. in.

*AASHTO M306 requires that castings bear a minimum of 40,000 pounds on a 9" x 9" area. This represents a 2.5 safety factor over the 16,000 pound requirement of H20 and HS20. This load designation is appropriate for general traffic applications. Loading criteria is 40,000 — 100,000 pounds.

Base



ACO Specification Information



2x2 Catch Basin

Part Table

Description	Part No.	Invert Depth		Weight lbs.
		inches	mm	
2x2 Catch Basin - Polyester polymer concrete	05719	25.63	651	192.0
Grey iron frame & slot grate	05720	-	-	243.5

Part I - General	Part II - Product	Part III - Installation
<p>1.1 Related Work - Work specified in other sections includes but is not limited to: Excavation and backfill, cast-in-place concrete, and mechanical equipment.</p> <p>1.2 System Description - 2 x 2 Catch basin manufactured from polymer concrete, complete with gray iron slotted grate.</p> <p>1.3 Submittals - Manufacturer will submit, when required, shop drawings showing schematic plan of total drainage system listing all parts being provided with exact center-line dimensions suitable for installation. Copies of the manufacturer's recommended method of installation shall be submitted for review.</p> <p>1.4 Project History - Manufacturer shall submit a list of installed projects, if required.</p> <p>1.5 Warranty - ACO provides a limited product warranty of one year based on installation according to manufacturer's installation instruction data.</p>	<p>2.1 Products - Manufacturer shall be ACO Polymer Products, Inc.</p> <p>2.2 Physical & Mechanical Characteristics</p> <ul style="list-style-type: none"> Overall width - 27.87 inches (708mm) Overall length - 27.87 inches (708mm) Overall depth - 26.77 inches (680mm) Invert depth - 25.63 inches (651mm) Compressive strength - 14,000 psi Flexural strength - 4,000 psi Water absorption rate - <0.1% by weight <p>2.3 Box Profile - Pre-cast units shall be manufactured with drill-outs for channel and pipe connections and have a wall thickness of at least 0.75" (19mm). Units shall have horizontal cast in anchoring features on the outside wall to ensure maximum mechanical bond to the surrounding bedding material and pavement surface.</p> <p>2.4 Grates - Grates are slotted gray iron. After removal of grates there shall be uninterrupted access to the catch basin to aid maintenance.</p>	<p>3.1 Excavation - Identify area for install. Full concrete encasement is required, excavate area large enough to fit catch basin plus a minimum of 6" of concrete on all four sides and base. Engineering advice should be sought as ground conditions may require additional concrete support.</p> <p>3.2 Outlet Connections - Each box has several drill-outs, which when removed, allow pipe to be connected to catch basin. Drill-outs are guides & openings that can be positioned where required.</p> <p>3.3 Connection of channels: Catch basin can be used within a channel run. Remove sidewall to suit channel profile.</p> <p>3.4 Back Fill - Haunch around catch basin & backfill with concrete of 4,000 psi minimum strength. Finish concrete to 1/8" above required grate height.</p> <p>3.5 Install in strict accordance with manufacturer's recommendations & drawings. Details available at www.acousa.com/install_drawings_drain.htm</p>

ACO Polymer Products, Inc.

East Sales Office
P.O. Box 245
Chardon, OH 44024
Tel: (440) 285-7000
Toll free: (800) 543-4764
Fax: (440) 285-7005

West Sales Office
P.O. Box 12067
Casa Grande, AZ 85130
Tel: (520) 421-9988
Toll Free: (888) 490-9552
Fax: (520) 421-9899

Follow us on

Electronic Contact:
info@acousa.com
www.acousa.com

