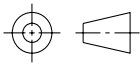
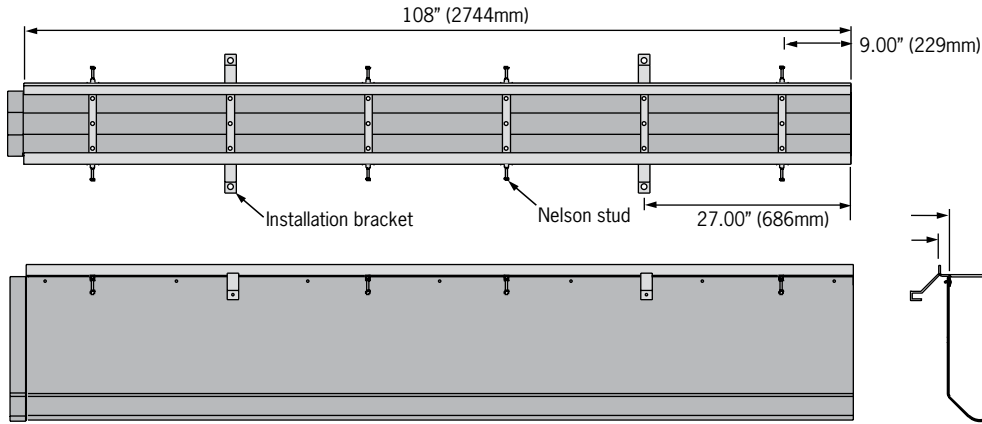


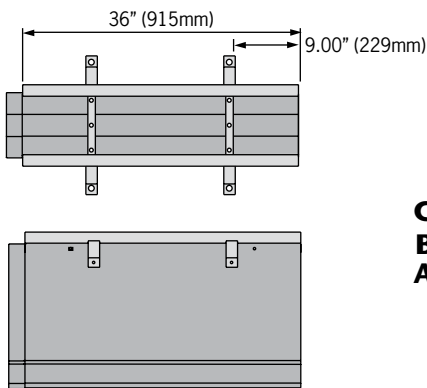
FlowDrain - FG200



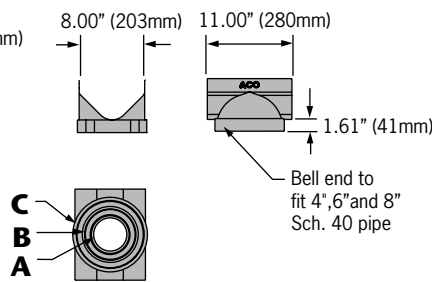
Nine foot channel



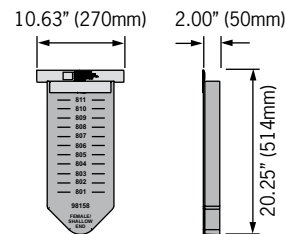
Three foot channel



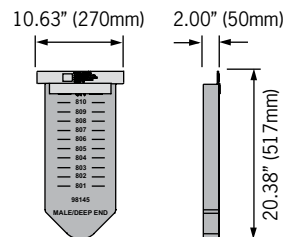
Vertical outlet adapter



Closing cap - Female



Closing cap - Male

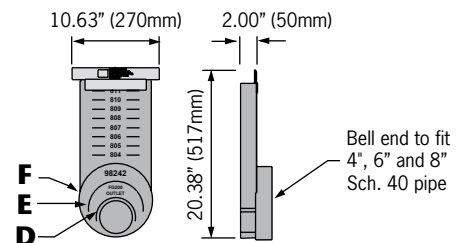


Outlet flow rates

| Outlet | Product | Outlet size (Sch. 40) | Invert Depth | GPM | CFS |
|--------|------------------------|-----------------------|--------------|-----|------|
| A | Vertical outlet - F801 | 4" round | 7.88 | 154 | 0.34 |
| A | Vertical outlet - F812 | 4" round | 20.25 | 246 | 0.54 |
| B | Vertical outlet - F801 | 6" round | 7.88 | 346 | 0.77 |
| B | Vertical outlet - F812 | 6" round | 20.25 | 553 | 1.23 |
| C | Vertical outlet - F801 | 8" round | 7.88 | 616 | 1.37 |
| C | Vertical outlet - F812 | 8" round | 20.25 | 982 | 2.18 |
| D | Outlet cap - F802 | 4" round | 9.00 | 145 | 0.33 |
| D | Outlet cap - F812 | 4" round | 20.25 | 233 | 0.54 |
| E | Outlet cap - F803 | 6" round | 10.13 | 330 | 0.76 |
| E | Outlet cap - F812 | 6" round | 20.25 | 510 | 1.17 |
| F | Outlet cap - F805 | 8" round | 12.38 | 635 | 1.46 |
| F | Outlet cap - F812 | 8" round | 20.25 | 880 | 2.03 |

Note: These are the pipe flow rates at the specified outlet, NOT channel flow rates.

Outlet end cap



ACO Specification Information



ACO DRAIN

FG200 trench drain system



ACO Specification Information

| Description | Part No. | Invert Depth | | Weight lbs. |
|--|--------------|---------------|------------|-------------|
| | | inches | mm | |
| F801 Sloped channel - 108" (2.75m) | 99006 | 6.75 - 7.88 | 172 - 200 | 11.0 |
| F802 Sloped channel - 108" (2.75m) | 99013 | 7.88 - 9.00 | 200 - 229 | 12.0 |
| F803 Sloped channel - 108" (2.75m) | 99021 | 9.00 - 10.13 | 229 - 257 | 13.0 |
| F803N Neutral channel - 108" (2.75m) | 99048 | 10.13 | 257 | 15.5 |
| F803N3 Neutral channel - 36" (0.915m) | 99034 | 10.13 | 257 | 5.2 |
| F804 Sloped channel - 108" (2.75m) | 99055 | 10.13 - 11.25 | 257 - 286 | 14.1 |
| F805 Sloped channel - 108" (2.75m) | 99062 | 11.25 - 12.38 | 286 - 314 | 15.2 |
| F806 Sloped channel - 108" (2.75m) | 99071 | 12.38 - 13.50 | 314 - 343 | 16.3 |
| F806N Neutral channel - 108" (2.75m) | 99095 | 13.50 | 343 | 16.3 |
| F806N3 Neutral channel - 36" (0.915m) | 99084 | 13.50 | 343 | 5.5 |
| F807 Sloped channel - 108" (2.75m) | 99109 | 13.50 - 14.63 | 343 - 371 | 17.4 |
| F808 Sloped channel - 108" (2.75m) | 99116 | 14.63 - 15.75 | 371 - 400 | 18.5 |
| F809 Sloped channel - 108" (2.75m) | 99123 | 15.75 - 16.87 | 400 - 429 | 19.6 |
| F809N Neutral channel - 108" (2.75m) | 99145 | 16.87 | 429 | 19.6 |
| F809N3 Neutral channel - 36" (0.915) | 99132 | 16.87 | 429 | 6.5 |
| F810 Sloped channel - 108" (2.75m) | 99156 | 16.87 - 18.00 | 429 - 457 | 20.7 |
| F811 Sloped channel - 108" (2.75m) | 99162 | 18.00 - 19.13 | 457 - 486 | 21.8 |
| F812 Sloped channel - 108" (2.75m) | 99175 | 19.13 - 20.25 | 486 - 514 | 23.0 |
| F812N Neutral channel - 108" (2.75m) | 99192 | 20.25 | 514 | 23.0 |
| F812N3 Neutral channel - 36" (0.915) | 99186 | 20.25 | 514 | 7.7 |
| Channel Frames | | | | |
| Black coated steel frame - 108" (2.75m) | 97066 | - | - | 57.9 |
| Black coated steel frame - 36" (0.915) | 98524 | - | - | 19.3 |
| Galvanized steel frame - 108" (2.75m) | 97079 | - | - | 57.9 |
| Galvanized steel frame - 36" (0.915) | 98538 | - | - | 19.3 |
| Stainless steel frame - 108" (2.75m)* | 97087 | - | - | 57.9 |
| Stainless steel frame - 36" (0.915)* | 98545 | - | - | 19.3 |
| Catch Basins | | | | |
| Please refer to separate sheet for F600 and F880 catch basin information | | | | |
| Accessories | | | | |
| Closing cap (F) with black end frame | 98365 | - | - | 1.1 |
| Closing cap (F) with galv steel end frame | 98386 | - | - | 1.1 |
| Closing cap (F) with stainless end frame* | 98375 | - | - | 1.1 |
| Closing/outlet cap (M) with black end frame | 98363 | - | - | 1.3 |
| Closing/outlet cap (M) with galv steel end frame | 98382 | - | - | 1.3 |
| Closing/outlet cap (M) with stainless end frame* | 98372 | - | - | 1.3 |
| Outlet cap (M) with black end frame | 98361 | - | - | 1.8 |
| Outlet cap (M) with galv steel end frame | 98381 | - | - | 1.8 |
| Outletcap (M) with stainless steel end frame* | 98373 | - | - | 1.8 |
| Vertical outlet adapter - 4" or 6" Sch. 40 outlet | 98103 | - | - | 1.6 |

Notes:

1. Invert depths are for the channel/catch basin body & frame assembly
 2. Channel weights are for fiberglass body only
 3. Closing caps can be cut down to suit all channels
 4. Add 2" to length of each channel for female joining flange (only applicable at shallowest end of run)
 5. Frames supplied with plastic snap-fit studs for connecting to fiberglass body
 6. (F) =female
 7. (M) = male
- * Grade 304 stainless steel frames, ACO recommends the use of non-galvanized grates with stainless steel frames to avoid galvanic corrosion

Specifications

General

The surface drainage system shall be ACO Drain FG200 complete with bolted gratings as manufactured by ACO Polymer Products, Inc. or equal approved.

Materials

The trench system bodies shall be manufactured from fiberglass, with minimum properties as follows:

| | |
|----------------------------------|------------|
| Compressive strength: | 24,400 psi |
| Flexural strength: | 9,943 psi |
| Water absorption | 0.33% |
| Frost proof | |
| Salt proof | |
| Dilute acid and alkali resistant | |

The nominal clear opening shall be 8.00" (203mm) with overall width of 10.63" (270mm). Pre-cast units shall be manufactured with either an invert slope of 1.0% or with neutral invert and have a wall thickness of at least 0.125" (3mm). Each unit will feature a full 'V' profile in the trench bottom and a 2" (50mm) male to female interconnecting end profile.

The fiberglass channel body shall be fixed to the frame using push fit nylon studs at 17.17" (436mm) intervals.

Frames shall be manufactured from either galvanized*/black coated*/ stainless* steel and shall incorporate anchoring features to ensure maximum mechanical bond to the surrounding bedding material and pavement surface. Frames shall incorporate installation brackets to ensure correct and easy installation. Frame shall be at least 3/16" (5mm) thick.

Grates

Grates should be specified. See separate ACO Spec Info grate sheets for details.

Installation

The trench drain system shall be installed in accordance with the manufacturer's installation instructions and recommendations.

*delete as appropriate

ACO Polymer Products, Inc.

East Sales Office

P.O. Box 245
Chardon, OH 44024
Tel: (440) 285-7000
Toll free: (800) 543-4764
Fax: (440) 285-7005

West Sales Office

P.O. Box 12067
Casa Grande, AZ 85230
Tel: (520) 421-9988
Toll Free: (888) 490-9552
Fax: (520) 421-9899

Electronic Contact:

info@acousa.com
www.acousa.com

